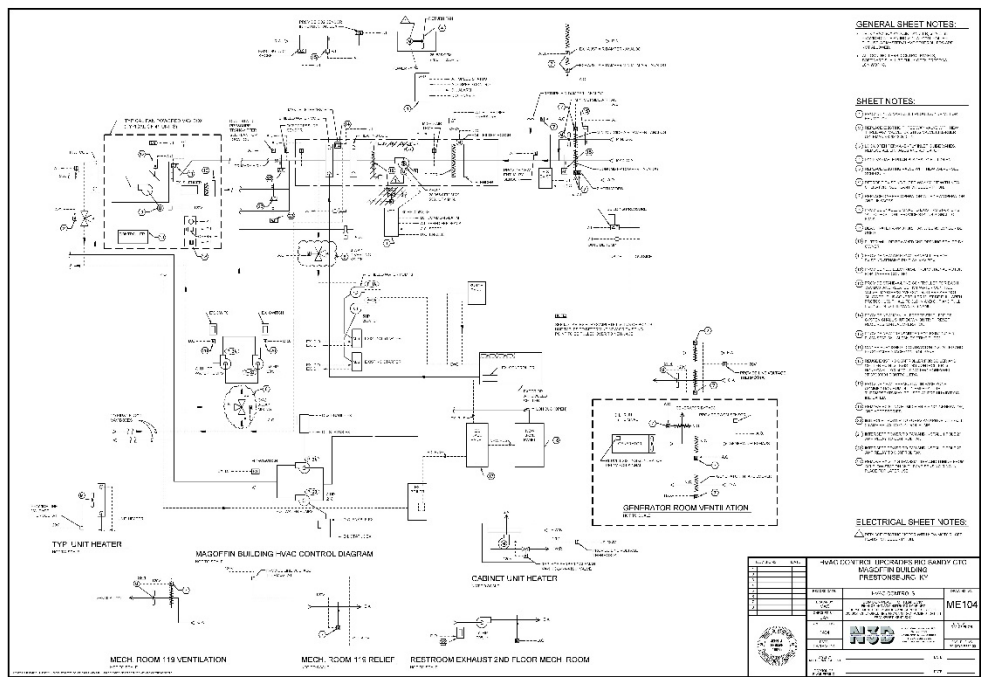


HVAC Upgrades Big Sandy CTC Paintsville, Hager Hill, Prestonsburg

Owner: Dept. of Finance/KCTCS
 Contact: David Boggess, Div. of Engineering
 Phone: 502.564.3155
 Email: dboggess@ky.gov
 Building Area: 20,000 SF
 Construction Cost: \$ 240,000
 Project Status: Under Construction

Project Description: Project is for the evaluations, recommendations, and implementation of upgrades to HVAC system at three campuses for Big Sandy CTC. First project to be bid is the replacement all HVAC controls for Magoffin Building at the Prestonsburg Campus.

Engineering Highlights:



Project is to replace all HVAC controls for the Magoffin Building of Big Sandy CTC that contains the campus learning resource center, general classrooms, and staff offices.